

C14 Zone Pressure Pickup Ports

Zone Pressure Sensors (ZPS)

Rev. 12/19/16



Wall & Ceiling Pressure Pickup Ports & Temp./Pressure Pickup Combos

Features & Options

- Economical & Easy to Install
- Includes 80 Micron Filter
- Accommodates 1/8" I.D. to 5/32" I.D. Tubing

Room pressure pickup ports are available as a Wall Plate or a BAPI-Stat "Quantum" enclosure, both sized to fit a common 2" x 4" electrical box. A foam gasket seals the plate or enclosure to the wall. These units are available as a pickup alone or with a temperature sensor.

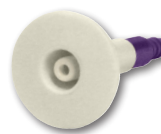
BAPI also offers a Ceiling Mount Square Cover that fits a standard 3/4" thick suspended ceiling tile, and a Low Profile Port that is ideal for locations where aesthetics are as important as the pressure measurement. The only visible portion is a flush 7/8" dot on the wall.



Wall Plate



BAPI-Stat "Quantum" Enclosure



Low Profile Port



Ceiling Mount Square Cover

Specifications

Environ. Oper. Range:

Wall & Ceiling Plates
Temp: 32 to 122°F
(0 to 50°C)

Humidity: 0% to 95% RH,
non-condensing

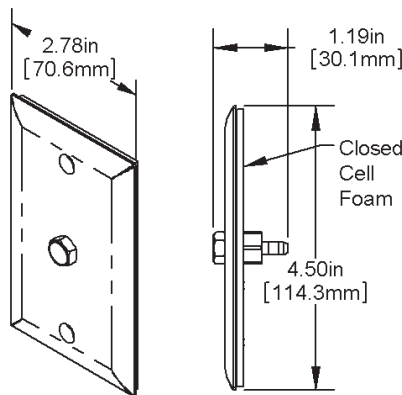
Low Profile Port
Temp: -40 to 185°F
(-40 to 85°C)

Humidity: 0% to 100% RH,
non-condensing

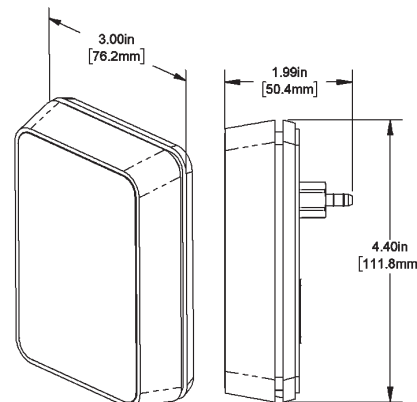
Material:

Delta Style & Low Profile:
ABS Plastic, UL 94, V-0

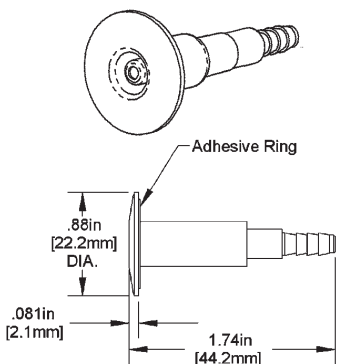
Wall & Ceiling Plates:
Stainless Steel



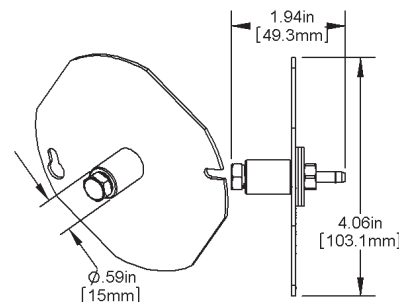
Wall Plate



BAPI-Stat "Quantum" Encl.



Low Profile Port



Ceiling Mount Cover



Rev. 12/19/16

Zone Pressure Pickup Ports

C15

Zone Pressure Sensors (ZPS)

Use the Option Selection Guide below to create your custom part number. Replace the number and brackets with the designator for each selection. Skip the designator and dashes for optional selections that are not required in your configuration.

Pressure Pickup Ports Option Selection Guide

ZPS-ACC (#1) - (#2)

#1: Pickup Port (required)

- 01.....2" X 4" Stainless Steel Wall Plate with Static Pickup
- 03.....Room Mount Delta Style Enclosure with Static Pickup
- 04.....BAPI-Stat "Quantum" Enclosure with Static Pickup
- 05.....Ceiling Mount Square Cover with Static Pickup
- 20.....Low Profile Pressure Pickup Port

#2: Temperature Sensor (optional, not available for 05, 06 and 20 above)

- 18.....1.8K Thermistor
- 3.....3K Thermistor
- 102.....10K-2 Thermistor
- 103.....10K-3 Thermistor
- 10311.....10K-3[11K] Thermistor
- 20.....20K Thermistor
- 1375.....1K Platinum RTD (375 curve)
- 1.....1K Platinum RTD (385 curve)

Example Number: ZPS-ACC(**03**) - (**102**)

Actual Number (with parenthesis removed): ZPS-ACC03-102

Description: Delta Style Enclosure with Static Pickup, 10K-2 Thermistor Temperature Sensor.

Your Number: ZPS/ACC

